

Accusense™ IEEE Outdoor Current and Voltage Sensor CVS-27-O

The Accusense CVS-27-O is a low-power combined current and voltage sensor for outdoor use up to 27kV. Suitable for installation in pole mounted and substation applications, it can be applied for both measurement and protection applications.

GENERAL TECHNICAL PARAMETERS

Nominal Frequency	50/60 Hz
Rated Insulation Level	27kV/70kV (wet)/150kV (dry) Routine PF withstand test 60kV (dry)
Primary Terminal Capacity	1.3 pF
Weight	5 kg (without output cable)
Creepage Distance [mm]	842, very heavy pollution severity
Protection Level	IP66
Applicable Standards	IEEE C37.90, IEC 61869-1, IEC 60044-7 & -8

LOW POWER CURRENT SENSOR PARAMETERS

Auxiliary DC Supply Voltage	[12, 36] V DC
Rated Primary Current, I_{pr}^*	600 A
Rated Secondary Voltage* (Cap. Bank Version)	0.333 V (10 V)
Rated Extended Primary Current Factor, K_{pcr}	30
Rated Short Time Withstand Thermal Current, I_{th}	20 kA/3s
Dynamic Nominal Current, I_{dyn}	52 kA
Rated Continuous Thermal Current, I_{cth}	800 A
Rated Burden, R_B^*	$\geq 20 \text{ k}\Omega // \leq 500 \text{ pF}$
Accuracy Class	For protection 5P30 For measurement 0.5S

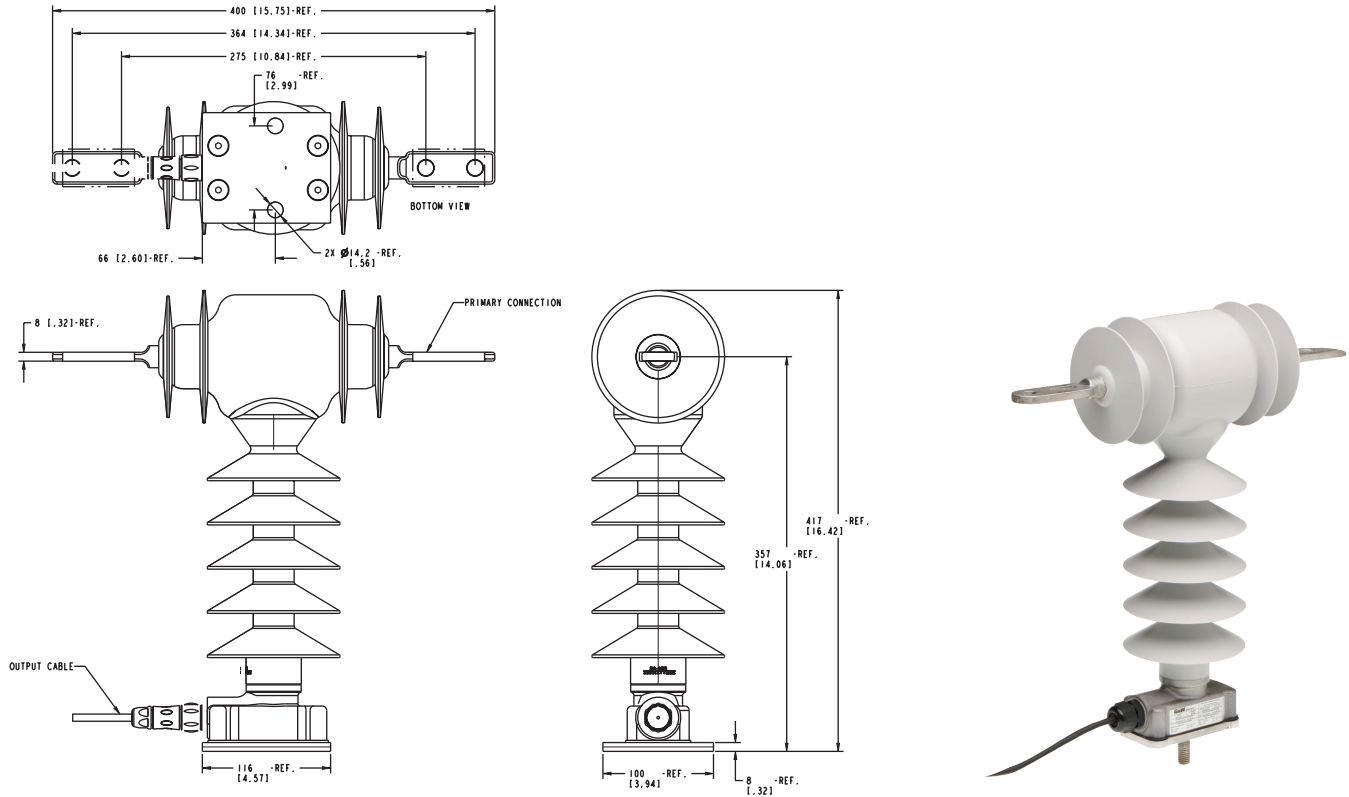
LOW POWER VOLTAGE SENSOR PARAMETERS

Auxiliary DC Supply Voltage	12 to 36 V
Rated Primary Voltage, U_{pn}^*	27/ $\sqrt{3}$ kV
Rated Secondary Voltage, U_{sn}^* (Cap. Bank version)	5.4/ $\sqrt{3}$ V (12.3/ $\sqrt{3}$ V)
Rated Voltage Factor, K_u	1.9 for 8h
Nominal Transformation Ratio, K_n^* (Cap. Bank version)	5000/1 (2200/1)
Rated Burden, R_B^*	1 M $\Omega // \leq 50 \text{ pF}$
Accuracy Class	For protection 1P For measurement 0.5



* Customizable parameters, available with different values upon request.

CVS-27-O Drawing



All linear dimensions are in inches [millimeters].

For more information

please, visit our website: www.gwelectric.com/high-accuracy-sensors



Since 1905, G&W Electric has been a leading provider of innovative power grid solutions including the latest in load and fault interrupting switches; reclosers; sensors; system protection equipment; power grid automation; transmission and distribution cable terminations; and joints and other cable accessories. G&W Electric is headquartered in Bolingbrook, Illinois, U.S.A., with manufacturing facilities and sales support in more than 100 countries, including Canada, Italy, China, Mexico, Brazil, India and Singapore. We help our customers meet their challenges and gain a competitive edge through a suite of advanced products and technical services.

gwelectric.com