

Accusense™ Outdoor Current & Voltage Sensor

CVS-P-24-O

The Accusense CVS-P-24-O current and voltage sensor is the second generation of passive 24kV combined current and voltage sensors for outdoor use, suitable for installation in pole-mounted and substation applications. It can be applied for both measurement and protection applications, and there are options available for high accuracy voltage sensing.

GENERAL TECHNICAL PARAMETERS

Nominal frequency	50 / 60 Hz
Rated insulation level	24 kV / 70 kV (wet) / 150 kV (dry)
Primary terminal capacity	13 pF
Weight	5 kg
Creepage distance [mm]	842 (very heavy pollution severity)
Protection level	IP 55
Applicable Standards	IEC 61869-10 & -11; ENEL GSTP021



CURRENT SENSOR PARAMETERS

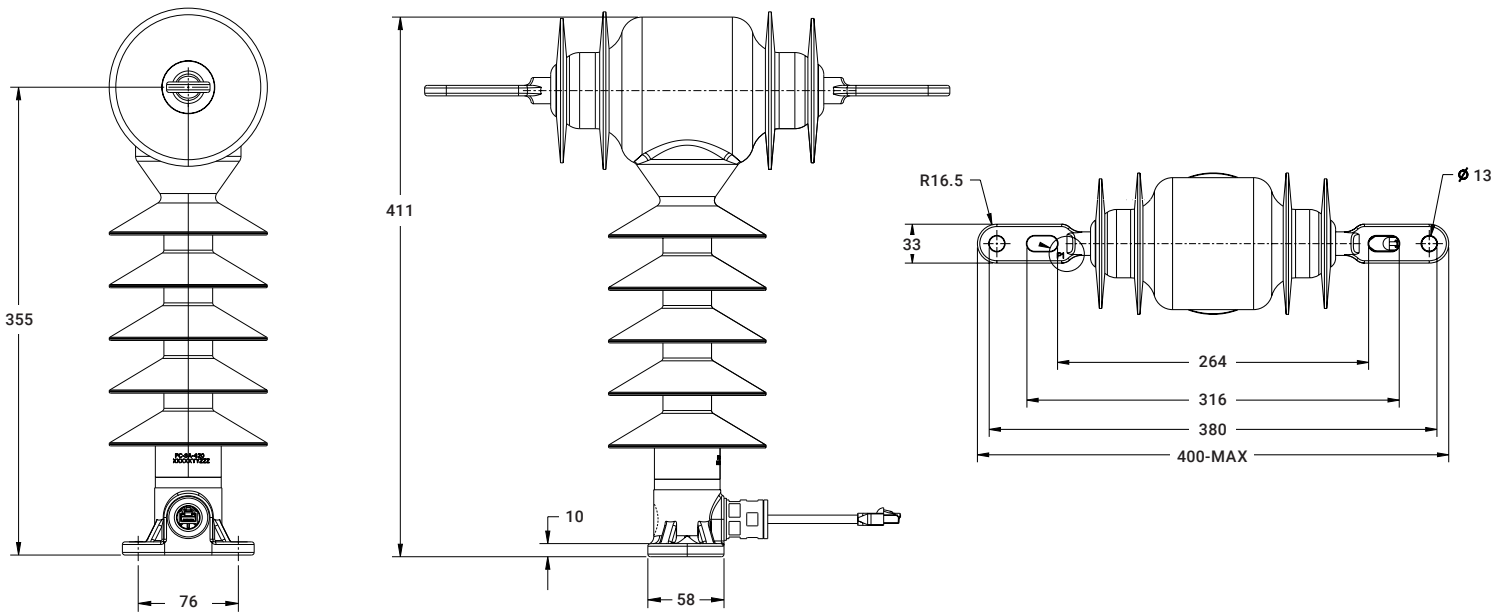
Rated primary current, I _{pr}	500 A
Output type	Derivative
Rated secondary voltage @ 50 Hz (@ 60 Hz)	0.150 V (0.180 V)
Rated extended primary current factor, K _{pcr}	30
Rated short time withstand thermal current, I _{th}	20 kA / 3s
Dynamic nominal current, I _{dyn}	52 kA
Rated Continuous thermal Current, I _{cth}	800 A
Rated burden, RB *	≥ 20 kΩ // ≤ 500 pF
Accuracy class	For protection 1P30 For measurement 0.5S

VOLTAGE SENSOR PARAMETERS

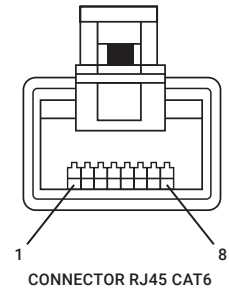
Rated primary voltage, U _{pn} *	20/√3 kV
Rated secondary voltage, U _{sn} *	1.1547 V
Rated voltage factor, K _u	1.9 for 8h
Nominal transformation ratio, K _n *	10000 / 1
Rated burden, RB *	2 MΩ // ≤ 50 pF
Accuracy class	For protection 1P For measurement 0.5

*Symbol * marks customizable parameters, available with different values upon request.

CVS-P-24-O Drawing



	RJ45 PINOUT							
	1	2	3	4	5	6	7	8
Passive LPCT	S1	S2	-	-	-	-	-	-
Passive LPVT	-	-	-	-	-	-	a	n



All linear dimensions are in millimeters.

For more information

please visit our website: www.gwelectric.com/high-accuracy-sensors



Since 1905, G&W Electric has been a leading provider of innovative power grid solutions including the latest in load and fault interrupting switches; reclosers; sensors; system protection equipment; power grid automation; transmission and distribution cable terminations; and joints and other cable accessories. G&W Electric is headquartered in Bolingbrook, Illinois, U.S.A., with manufacturing facilities and sales support in more than 100 countries, including Canada, Italy, China, Mexico, Brazil, India and Singapore. We help our customers meet their challenges and gain a competitive edge through a suite of advanced products and technical services.