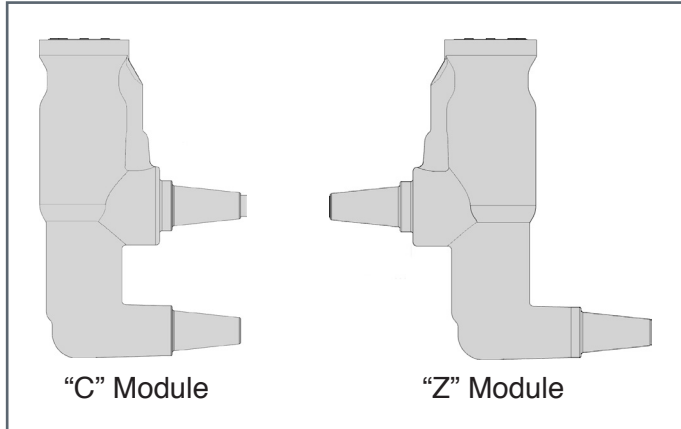


PADMOUNT VIPERS

APPLICATIONS

- Protection for underground feeders
- Circuit breaker
- Tie-switch
- Automated transfer switch
- Generation synchronization



▲ C modules for front cable connections. Z modules for front and back cable access



▲ Separate low voltage enclosure and dead-front design for ultimate safety. Viper-ST shown.

VIPER-ST AND VIPER-S MODULE CONFIGURATIONS

Voltage Class	IEEE Bushing Type	Module Type	
		0 or 3 Voltage Sensors	6 Voltage Sensors
15/27 kV	200 A deepwell	C or Z	Not Available
	27 kV, 600 A	C or Z	C only
38 kV	38 kV, 600 A	C or Z	Z only

CONTROLS AND INTERFACES

Model	Voltage Sensor Quantity	Voltage Sensor Type	Control	Cables
Viper-S	3	Amplified to 120 VAC	SEL-351R	Control cable: 14 pin multi-turn Voltage cable: 8 pin multi-turn
	6	Amplified to 120 VAC	Traditional SEL-651R (14-pin) or Control Powered SEL-651R (19-pin)	Control cable: 14 or 19 pin Voltage cable: 8 pin multi-turn
	6	LEA*		Control cable: 14 or 19 pin Voltage cable: 8 pin quick-disconnect
Viper-ST	3 or 6	LEA*	651R	32 or 42 pin quick-disconnect single cable

*LEA: Low Energy Analog