

VS-P-24-BP-C Back Plug Voltage Sensor

VS-P-24-BP-C is a passive 24 kV voltage sensor designed as a back plug for interface C symmetrical T connectors. The voltage sensor is suitable for either measurement or protection purposes and provides reliable data for meters and relays. VS-P-24-BP-C is a smart solution for both new and already existing installations as a retrofit solution.

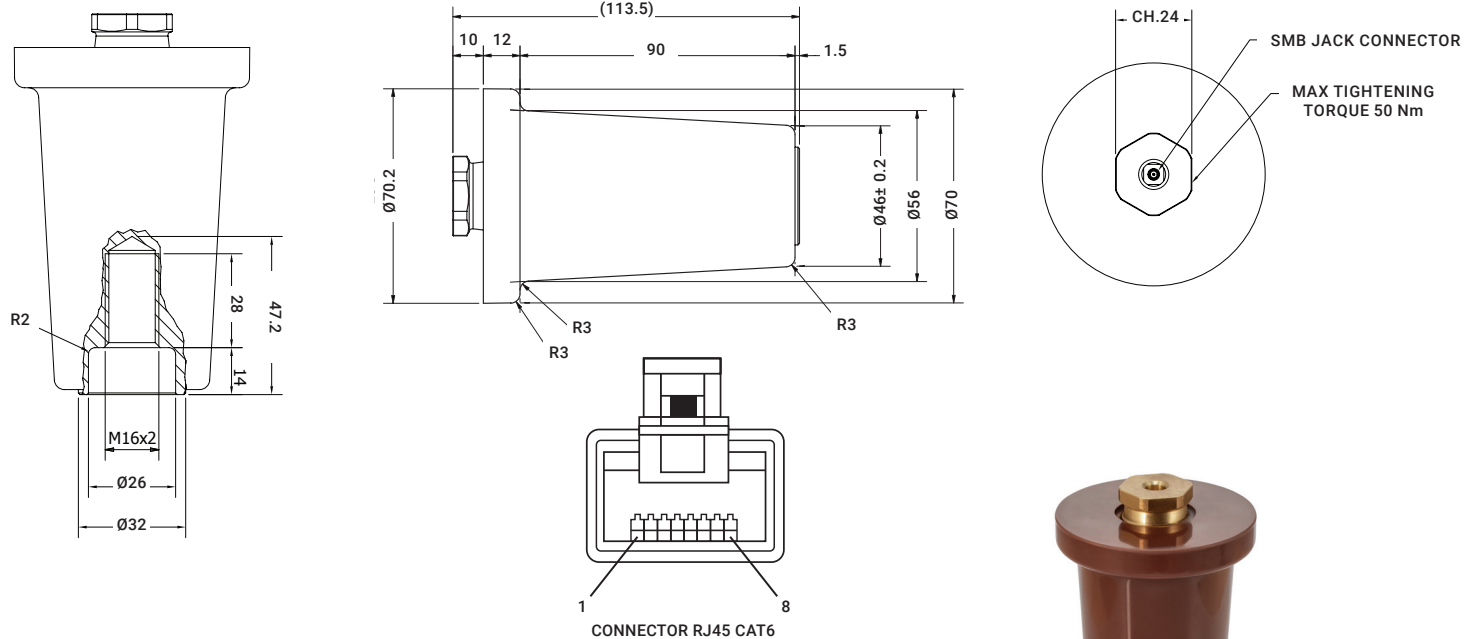
TECHNICAL PARAMETERS

Rated insulation level	24/50/125 kV
Accuracy class *	Protection 3P
	Measurement 0.5
Rated Burden, Rbr*	2 M Ω (or any value \geq 1 M Ω)
Rated primary voltage, Upn	Up to 20/ $\sqrt{3}$ kV
Rated secondary voltage, Usn*	Up to 3.25/ $\sqrt{3}$ V
Rated voltage factor, Ku	1.9 for 8h
Nominal frequency*	50 / 60 Hz
Nominal transformation ratio, Kn*	20/ $\sqrt{3}$ kV : 3.25/ $\sqrt{3}$ V (or any lower value)
Installation condition	Symmetrical separable type C "T" connector
Primary terminal capacity	13 pF
Weight	0.35 kg
Applicable Standards	IEC 61869-11, HD 629.1 S2
Bandwidth (-3 dB)	5 Hz – 5 MHz
Accuracy on harmonics	"Special Quality Metering", According to IEC 61869-11



*parameter selectable by the customer at the time of the order

VS-P-24-BP-C Back Plug Voltage Sensor



RJ45 PINOUT							
1	2	3	4	5	6	7	8
-	-	-	-	-	-	a	n

All linear dimensions are in millimeters.

For more information

please, visit our website: www.gwelectric.com/products/high-accuracy-sensors/



Since 1905, G&W Electric has been a leading provider of innovative power grid solutions including the latest in load and fault interrupting switches; reclosers; sensors; system protection equipment; power grid automation; transmission and distribution cable terminations; and joints and other cable accessories. G&W Electric is headquartered in Bolingbrook, Illinois, U.S.A., with manufacturing facilities and sales support in more than 100 countries, including Canada, Italy, China, Mexico, Brazil, India, UAE and Singapore. We help our customers meet their challenges and gain a competitive edge through a suite of advanced products and technical services.