

CVS-24-O Outdoor Current and Voltage Sensor

CVS-24-O is an active 24kV combined current and voltage sensor for outdoor use suitable for installation in pole mounted and substation applications. It can be applied for both measurement and protection applications and there are options available for high accuracy voltage and high frequency measurement.

GENERAL TECHNICAL PARAMETERS

Rated insulation level	24/50/125 kV
Auxiliary Supply voltage	24 Vdc [12 V _{dc} – 36 V _{dc}]
Max. Supply Current	30 mA
Nominal frequency	50 / 60 Hz
Primary terminal capacity	1.25 pF
Weight	3.5 kg
Creepage	740 mm
Applicable Standards	IEC 61869-10,-11



CURRENT SENSOR PARAMETERS

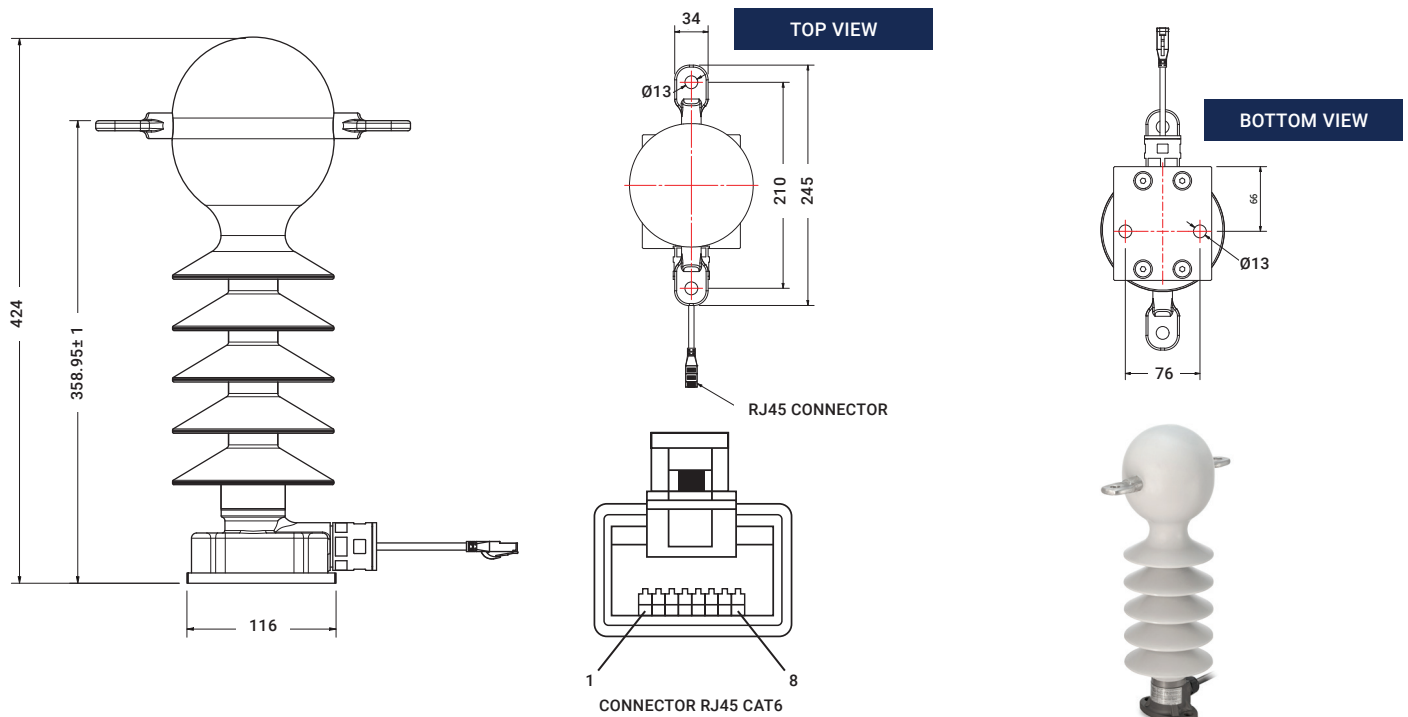
Rated primary current, I _{pr} *	300 A
Rated extended primary current factor, K _{pcr}	30
Rated primary time constant for transient performance, t _{pr}	25 ms
Rated short time withstand thermal current, I _{th}	16 kA / 1s
Dynamic nominal current, I _{dyn}	31.5 kA
Rated Continuous thermal Current, I _{cth}	1.8 I _{pr}
Nominal transformation ratio, K _{ra} *	300 A / 0.2 V
Accuracy class	For protection * 5P30 For measurement* 0.5S

VOLTAGE SENSOR PARAMETERS

Rated primary voltage, U _{pn} *	20/√3 kV
Maximum voltage, U _m	24 kV
Rated secondary voltage, U _{sn} *	1.547 V
Rated voltage factor, K _v	1.9 for 8h
Nominal transformation ratio, K _n *	10000 / 1
Accuracy class	For protection * 5P30 For measurement* 0.5S

*marks customizable parameters, available with different values upon request.

CVS-24-O Outdoor Current and Voltage Sensor



RJ45 PINOUT							
1	2	3	4	5	6	7	8
ECT+	ECT-(GND)	-	+VDC	-VDC		EVT+	EVT-(GND)

All linear dimensions are in millimeters.

For more information

please, visit our website: www.gwelectric.com/products/high-accuracy-sensors/



Since 1905, G&W Electric has been a leading provider of innovative power grid solutions including the latest in load and fault interrupting switches; reclosers; sensors; system protection equipment; power grid automation; transmission and distribution cable terminations; and joints and other cable accessories. G&W Electric is headquartered in Bolingbrook, Illinois, U.S.A., with manufacturing facilities and sales support in more than 100 countries, including Canada, Italy, China, Mexico, Brazil, India, UAE and Singapore. We help our customers meet their challenges and gain a competitive edge through a suite of advanced products and technical services.